

The Neolithic period

Introduction

The 1999 survey of the Mastos area now makes our picture of the Neolithic settlement pattern in the region complete.¹ In addition to a small number of Middle Neolithic (MN) sherds, the survey revealed a considerable amount of Final Neolithic (FN) pottery scattered all over the hill. Previously, no finds from this period had been reported from the area, and the only hint we had of FN activity were two tiny FN sherds present in the unpublished collection of predominantly MN pottery from Åke Åkerström's excavations on the east side of the hill in the 1950s.²

The survey design was highly intensive with teams of closely spaced field walkers who picked up all the artefacts they found.³ A preliminary classification of the pottery was made in the field, and a selected sample was brought into the Nauplion Museum for closer analysis. The Neolithic pottery is presented below. A list of pottery shapes is given in *Fig. 38*, while drawings and photographs of catalogued pieces can be found in *Figs. 40–45*. The plan and table in *Fig. 39* shows the distribution and total Neolithic sherd count in each unit. Information about the land use and topography and vegetation in the units is found in *Fold-out 2*.

Middle Neolithic (*Figs. 40–41*)

Fabric

The MN Urfirnis ware is highly distinctive with a reddish yellow (5YR 6/8) fine to semifine fabric and very fine to fine (Munsell scale <2 mm) mineral and calcite inclusions. The

sherds are about 0.4–0.7 cm thick, and the surfaces covered with streaky Urfirnis paint of usually fairly high lustre, occurring in red (2.5YR 5/6–5/8), dark reddish brown (5YR 3/3) or dark greyish brown (10YR 4/2) colour. The ware appears to be identical to that of the MN Urfirnis pottery from Åkerström's excavations. The survey produced no coarse Urfirnis sherds.

Shapes

Only 13 MN sherds were sampled during the survey, an unexpectedly low number given the large amount of MN pottery recovered from the MN site excavated by Åkerström. Possible reasons for the scarcity of MN sherds are discussed below.

The MN shapes comprise the basin (1), the carinated bowl (2), the shallow carinated bowl (3) (*Figs. 40–41*), and the large bowl (*Fig. 38, Fold-out 2, unit 58*). The low ring bases (LRB) probably all belong to bowls (*Fig. 38*). These shapes belong to a repertoire well known from other MN settlements in the Peloponnese, and the pottery has particularly close affinities to the major Argolid sites Lerna and Franchthi.⁴ Applied low-relief clay pellets or strips (termed “marks” by Vitelli), as seen on the exterior of the basin (1), were used for decoration of various vessels at Lerna and Franchthi.⁵

Some shapes and features in the Mastos pottery sample point to a date in the later phases of the MN. The basins are fairly large (rim diameters of 28–30 cm) and almost straight-sided. At Lerna, basins gradually replace the smaller saucers in the fifth MN stratum (II-J-E) and large, straight-sided basins dominate the later MN strata.⁶ The shallow carinated bowl shape first appears in the third MN stratum (II-J-C) at Lerna and in Ceramic Subphase (FCP) 2.3 at Franchthi. The type tends to become more shallow and sharply carinated in later phases and the Mastos example (3) with an inward-leaning

¹ My work was supported by grants from the Royal Society of Arts and Sciences in Gothenburg and the Anna Ahrenberg Foundation for scientific and other purposes.

² The Neolithic material from the old excavations has been studied by the author and is pending publication.

³ For the environment and the survey methodology adopted see the contributions by Wells and Savini respectively in this volume.

⁴ Vitelli 1974; *eadem* 1993.

⁵ Vitelli 1974, fig. 2 (basin), figs. 3 and 72 (collared jar), fig. 16 (cup), fig. 18 (piriform bowl); Vitelli 1993, fig. 67a, b, d.

⁶ Vitelli 1974, 67f.

<i>Date</i>	<i>Shape</i>	<i>Ware</i>	<i>Sherd count</i>	<i>Extant part</i>	<i>Unit</i>	<i>Cat. no.</i>	<i>Rim diam.</i>	
MN	Basin with clay strip	Urfirnis	1	Rim	47	1	28	
	Basin		1	Rim	58		30	
	Carinated bowl		1	Body	47	2	–	
			1	LRB	52		–	
	-shallow		1	Rim	61	3	14	
	Bowl		1	LRB	27		–	
			1	LRB	48		–	
			1	Rim	58		30	
FN	Necked jar -tall neck	Plain	2	Rim+Flat B	35	4, 5	Rim 24; B 12	
		Burnished	1	Rim	38	6	–	
			2	Rim	40		–	
			1	Rim	50		–	
	-short neck	Plain	2	Rim -flat lip	41	7	–	
		Burnished	1	Rim	42	8	–	
		Plain	1	Rim	63	9	18	
		Burnished	1	Shoulder	52		–	
	-with knob	Plain	1	Shoulder	44	10	–	
		Burnished	1	Shoulder	44		–	
	Collared jar	Burnished	1	Rim	35	11	–	
				1	Rim	50		–
	Flat jar bottom	Burnished	3	Base	41		–	
		Plain	1	Base	59	12	14	
	Deep bowl	Burnished	1	Rim -flat lip	25	13	22	
		-(cup)		1	Rim -flat lip	31	14	14
		-(beaker)		1	Rim -flat lip	57	15	20
		-with piecrust lip		1	Rim	41	16	–
			Plain	1	Rim -flat lip	43		–
	Spreading bowl	Burnished	1	Rim	32	17	24	
				1	Rim	37		16
	Spreading incised bowl	Slipped	1	Rim -flat lip	37	18	18	
	Flaring rim bowl	Plain	1	Rim -flat lip	36	19	18	
				1	Rim	41		–
	Bowl with punctate decoration	Slipped & Burnished	1	Body	32	20	–	
	Pattern burnished bowl	Burnished	1	Body	52	21	–	
	Jar with broad horn lug	Plain	1	Lug	15	22	–	
		Burnished	2	Lug + flat B	33	23, 24	Base 14	
		Plain	1	Lug	40		–	
	Bowl with broad horn lug	Burnished	1	Lug	35		–	
	Jar with narrow horn lug	Plain	2	Lug	37	25, 26	–	
				1	Lug	48		–
			1	Lug	51		–	
			1	Lug	61		–	
Jar with double horn lug	Plain	1	Lug	38	27	–		
			1	Lug	51		–	
			1	Lug	61		–	
Flat strap handle	Plain	1	Handle	41		–		
	Burnished	1	Handle	47		–		

Fig. 38. List of Middle and Final Neolithic pottery shapes. LRB = Low ring base.

upper wall most closely resembles the late MN bowls from FCP 2.5 at Franchthi.⁷ Also the fact that all the Mastos ring base undersides are unpainted argues against an early MN date, since the practice of painting the underside of bases was abandoned after the second MN phase (II-J-B) at Lerna.⁸

Find distribution and site function (*Fold-outs 1 and 2*)

The MN pottery was found almost exclusively on the lower slopes of the east hillside (*Fig. 39*), in survey units around and mainly to the south of Åkerström's excavation site (*Fold-out 2*, units 47, 48, 52, 58 and 61), but was conspicuously absent from the excavation area itself (unit 57). This suggests that most MN sherds had been removed during the excavations. Another plausible reason for the scarcity of MN finds may be that they lie well below the surface, buried by deposits from the considerable Bronze Age activity at the site. This makes an estimate of the MN settlement size uncertain. The excavated area covers *c.* 0.06 ha. The sparse scatter of survey sherds does not, of course, by itself provide sufficient evidence for settlement, but if we consider them as surface indicators of buried MN settlement material, the site area would be about 0.5 ha. The survey recovered no MN finds from the southern hillside, but a small number of MN sherds found during Säflund's excavations of an Early Helladic settlement here in the 1930s⁹ indicates some MN activity also in this area. The small survey pottery sample does not give many clues about site function, but taken together with Åkerström's material the inventory of shapes resembles that from other MN village farming sites such as Lerna and Franchthi.

Final Neolithic (*Figs. 42–45*)

Fabric

The FN pottery generally has a coarse, sometimes very coarse, crumbly fabric with fine to medium sized calcite, grey, black and red inclusions. Surface colours identified by Munsell readings range from yellowish red (5YR 5/6) to dark reddish grey (5YR 4/2), and the most frequent are red (2.5YR 5/6), brown (7.5YR 5/4–4/3) and reddish brown (5YR 5/4–4/4). Many sherds show signs of uneven firing with colour variations, black patches or black interiors. The occasional burnished surface is mostly black, but no sherds are entirely black burnished. Many sherds have a very characteristic FN appearance with thick black cores and surfaces that are plain rough

or burnished, but only rarely slipped, and the fabric closely resembles that of the FN ware from the Berbati-Limnes survey.¹⁰ The sherd thickness is mostly around 1 cm, with a range of 0.5–1.6 cm.

Shapes

The survey yielded a sample of approximately 120 sherds that could be dated to the FN period. An additional 70 sherds, mainly featureless body fragments with less typical and somewhat more EH-looking fabric, were classified as FN-EH.

Among the FN shapes the closed vessels (jars) predominate, represented by more than twice as many fragments as the bowls (*Figs. 38, 42–45*). By far the most common jar type is a necked jar with a rather tall neck (height 2.5–5 cm) that forms a gently curving transition to the shoulder. The neck profile may be elegantly concave (4) or most often straight and slightly inward leaning (6, 7). The lip is most often rounded, and only occasionally flat (7). This jar type also occurs in a variant with a short (1–1.5 cm) neck (8, 9). One shoulder fragment of a necked jar (10) is decorated with a knob. Although it was possible to measure accurately the rim diameter of only a couple of these jars (4: 24 cm; 9: 18 cm), many of the rim sherds appear to have similarly large diameters. Also the size of the flat jar bottoms (5, 12 and 24) suggests that many jars at the site were of quite large dimensions. A much less frequent jar type is the collared jar (11), characterized by straight and fairly tall (2.5–3.3 cm) collars with an angular transition to the shoulder.

The bowls are of medium (rim diam. 14–18 cm) to large (rim diam. 20–24 cm) size, and three main bowl types may be distinguished: deep bowl, spreading bowl and flaring rim bowl. They show several typical FN features, such as flat lips, a "piecrust" decorated lip, pattern-burnishing, and incised or punctate decoration (*Figs. 43 and 45*, nos. 16, 18, 20–21). The deep bowls usually have flat lips, and the rims may have straight (13), or more often concave profile (14, 15). The piecrust lip on a deep bowl (16) has close parallels from Franchthi¹¹ among other sites. The spreading bowls usually occur undecorated with simple rounded lip (17), but in one instance with flat lip and decorated with incised series of chevrons on the exterior (18). A couple of flaring rim bowls are present, one of them with a flat lip (19). A bowl with punctate decoration, (20), has parallels from Kephala on Keos¹² and Ayios Dhimitrios.¹³ Pattern burnishing, the hall-

⁷ Vitelli 1974, 80, fig. 17g, h, i, 163f; Vitelli 1993, figs. 85j and 91b.

⁸ Vitelli 1974, 95.

⁹ Säflund 1965.

¹⁰ Johnson 1996a, 40.

¹¹ Vitelli 1999, figs. 4e, j; 46f; 62b.

¹² Coleman 1977, pl. 81:Z.

¹³ Zachos 1987, fig. 34:D59.

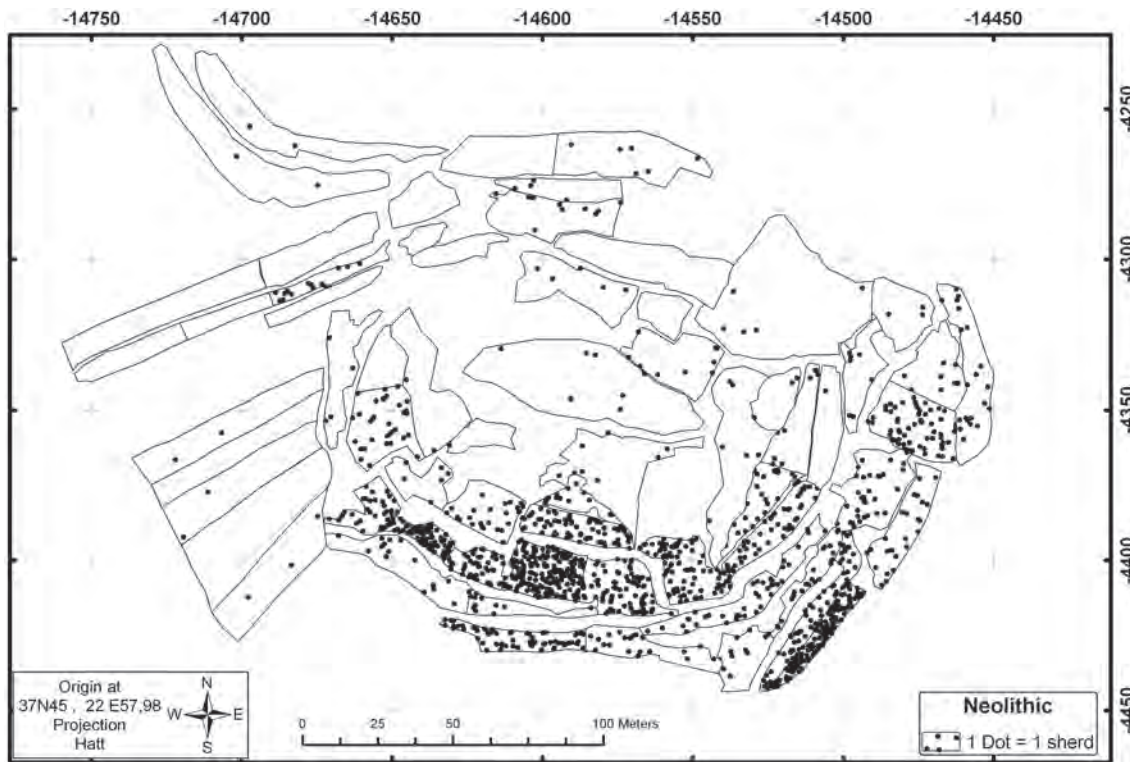


Fig. 39. Graphic (above) and tabular (below) distribution of Neolithic sherds between investigated units on the Mastos. Illustration by E. Savini.

Units	Area (m2)	Sherds	Sherds/10 m2	Units	Area (m2)	Sherds	Sherds/10 m2	Units	Area (m2)	Sherds	Sherds/10 m2
1	227	0	0.00	23	462	9	0.19	45	278	20	0.72
2	483	32	0.66	24	1357	7	0.05	46	265	11	0.42
3	555	2	0.04	25	624	2	0.03	47	434	39	0.90
4	374	4	0.11	26	463	0	0.00	48	188	23	1.22
5	189	0	0.00	27	663	2	0.03	49	319	60	1.88
6	176	14	0.80	28	999	0	0.00	50	223	137	6.14
7	161	0	0.00	29	647	3	0.05	51	326	51	1.56
8	254	0	0.00	30	18	1	0.56	52	268	24	0.90
9	400	0	0.00	31	218	6	0.28	53	322	1	0.03
10	623	0	0.00	32	340	25	0.74	54	329	9	0.27
11	967	2	0.02	33	321	72	2.24	55	745	6	0.08
12	670	2	0.03	34	157	14	0.89	56	222	3	0.14
13	263	0	0.00	35	406	81	2.00	57	500	32	0.64
14	457	0	0.00	36	230	29	1.26	58	392	24	0.61
15	659	6	0.09	37	135	82	6.07	59	521	61	1.17
16	92	0	0.00	38	181	50	2.76	60	400	8	0.20
17	184	0	0.00	39	711	7	0.10	61	525	21	0.40
18	500	5	0.10	40	409	198	4.84	62	339	3	0.09
19	254	4	0.16	41	417	82	1.97	63	284	7	0.25
20	510	10	0.20	42	170	11	0.65	64	1697	5	0.03
21	674	0	0.00	43	455	16	0.35				
22	186	0	0.00	44	279	67	2.40				

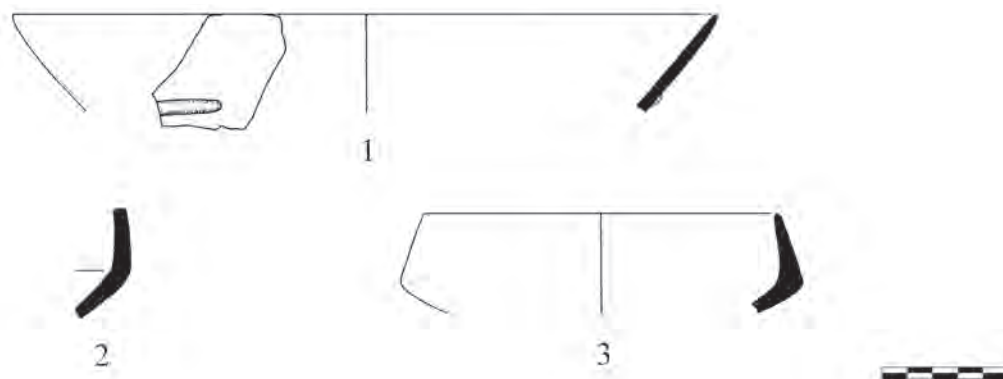


Fig. 40. Middle Neolithic basin (1), carinated bowl (2) and shallow carinated bowl (3). Drawings by M. Johnson.

mark of the “classic” FN period, is found on the interior of one bowl (21).

Lugs and handles (Figs. 44–45)

Horned lugs are frequent and occur in three main types: a broad crescent-shaped lug (22–23), a narrow more pointed lug (25–26), and a double horn lug (27). All but one of the broad lugs occur on jars. Horned lugs may have special chronological significance. They seem to be absent from the “classic” FN cultures at Kephala¹⁴ and the Athenian Agora,¹⁵ and from the later FN at Ayia Irini.¹⁶ At Franchthi, a narrow “cone-shaped” horn (closely resembling the narrow Mastos lugs) and broad “cupped” lugs occur in the early FN strata, and the broad lugs have Late Neolithic (LN) predecessors.¹⁷ Narrow horned lugs are also known from late LN (LN Ib) contexts at Skoteini Cave, where double horns are reported to cover the late LN to early FN (LN Ib–LN IIa) phases.¹⁸ Thus it appears that horned lugs may belong to a late LN or early FN phase. The Mastos examples have a fabric that would fit comfortably in the FN period. A couple of flat strap handles occur but without any trace of the vessel they were used on.

Find distribution and site function (Fold-out 2)

FN human activity is indicated by finds of pottery in most survey units all over the Mastos Hill (Fig. 39). The sherd scatter was particularly dense on the lower slopes of the southern and eastern hillsides,¹⁹ suggesting that this was the site of an



Fig. 41. Middle Neolithic basin (1) and carinated bowl (2). Photograph by C. Mauzy.

FN settlement covering an area of *c.* 2 ha. The rare event of finding several large well-preserved fragments from the same Neolithic pot during a survey occurred in two locations on the Mastos: in unit 33 (a horn lug jar (23–24) and in unit 35 (a large necked jar 4–5), implying that these pots were found more or less *in situ*, and that the finds in these locations had not been far removed or mixed through erosion or later human activity. Identifiable bowls and jars occur in somewhat greater numbers on the southern hillside, in the area corresponding with the most dense, total find concentration, but do not appear to form any significant clusters that would indicate special purpose areas within the settlement. The predominance of large jars suitable for storage appears to reflect a domestic inventory from an agricultural settlement of some permanence.

Neolithic Mastos in a regional context (Fold-out 1)

The 1999 Mastos survey produced scanty finds of MN pottery of the same kind as from Åkerström’s excavations, thus providing additional evidence for the presence and extent of an MN settlement on the east side of the hill. The settlement

¹⁴ Coleman 1977.

¹⁵ Agora XIII.

¹⁶ Wilson 1999.

¹⁷ Vitelli 1999, figs. 32i, 45f, h, 47b.

¹⁸ Sampson 1993, 104–106, 114, figs. 97–98 and 112–113.

¹⁹ In the region between units 36–40 in the west and units 59–61 in the east.

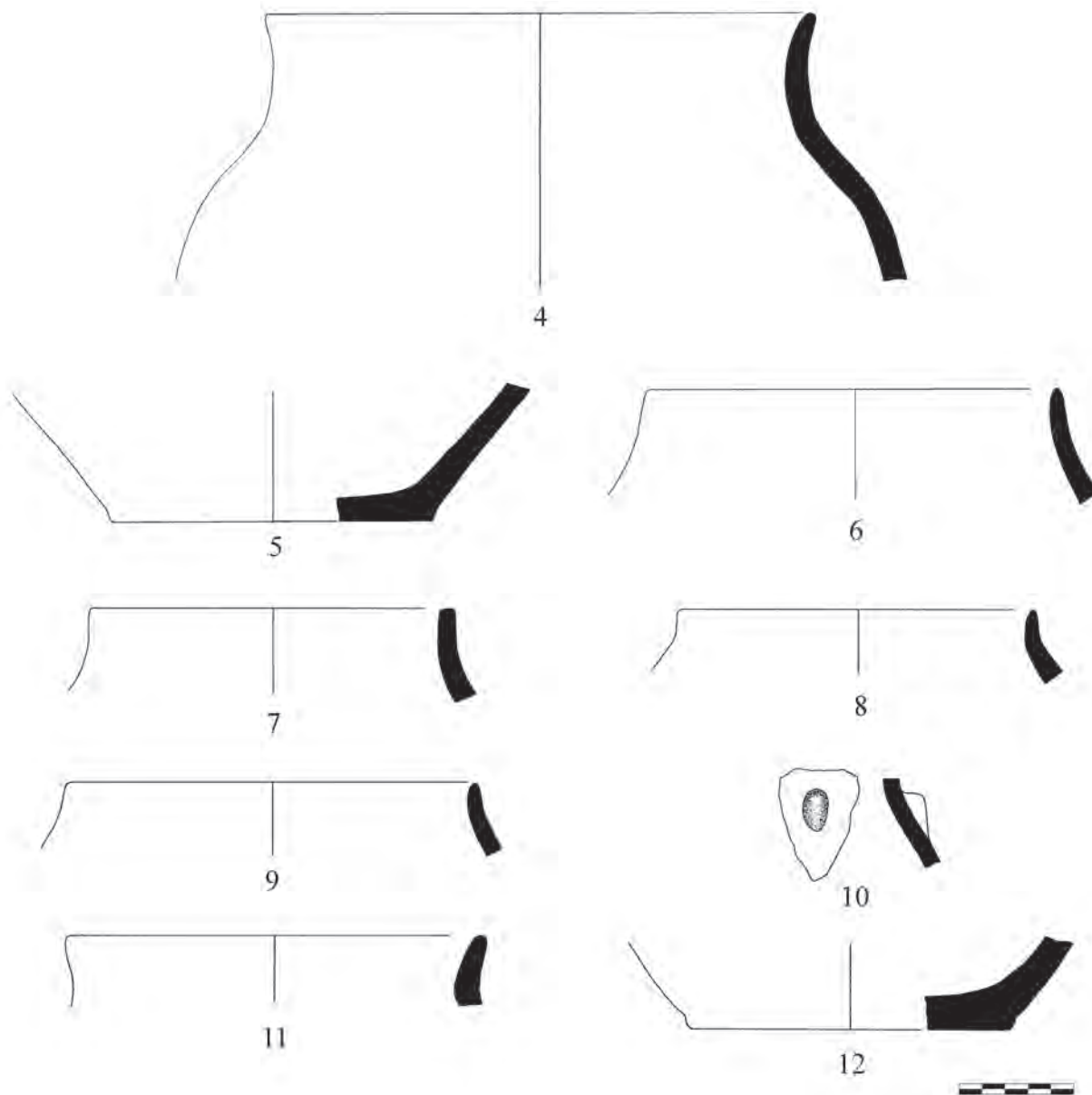


Fig. 42. Final Neolithic jars (4–12). Drawings by M. Johnson.

size remains uncertain but judging from the sparse sherd scatter it may be about 0.5 ha. If this is correct, it would fall in the lower range of the MN village sizes recorded in southern Greece.²⁰ Most pottery features suggest a date in the later phases of the MN, an observation that is consistent with the findings from a preliminary investigation of Åkerström's MN material. This means that the Mastos site at least partly, and perhaps completely, post-dates the early MN village FS 400

found in the Berbati-Limnes survey.²¹ Both villages have similar locations regarding resources for arable agriculture, with a perennial water supply from springs or the Asterion River, and direct access to the prime valley soils of the region. However, the water supply from the Asterion might have been less ideal. The fact that the river collects water from a large catchment area and a prominent spring in the distant uplands, and has formed a deep ravine (rema), The Kephalaria rema, in the

²⁰ Johnson 1996b, fig. 4.

²¹ Johnson 1996a, 44–57.

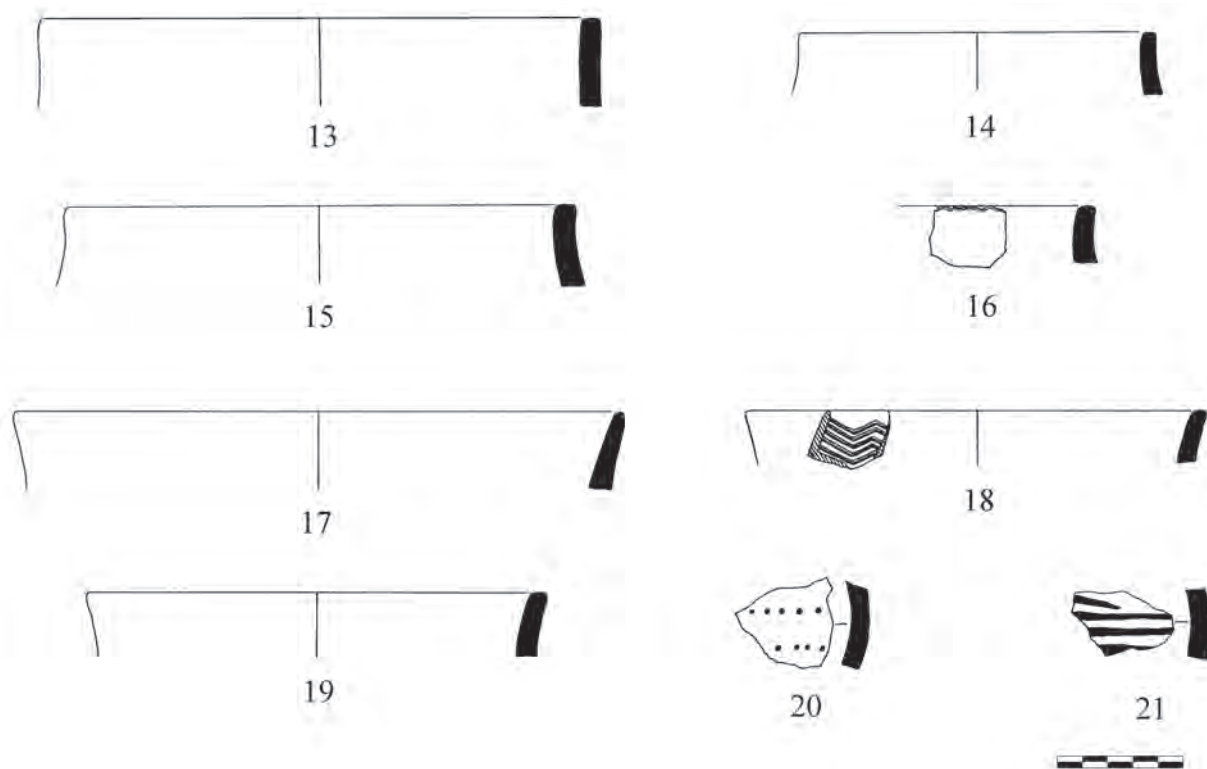


Fig. 43. Final Neolithic bowls (13–21). Drawings by M. Johnson.

Berbati Valley, appears to reflect a sometimes large and perhaps even violent water flow that would be more difficult to moderate for irrigation than the local more reliable spring flow. The rema reaches an impressive size in the Klisoura (the gorge connecting the Berbati Valley to the Argive Plain) and historically, as noted by Lehmann,²² the Asterion produced extensive seasonal flooding of the Argive Plain below the Klisoura.

The survey also demonstrates the presence of a village-sized FN settlement covering *c.* 2 ha of the southern and eastern hillsides. It would rank as one of the largest, if not the largest, of the FN sites in the Berbati-Limnes area. Most of the Berbati-Limnes survey sites were smaller than 0.5 ha. The FS 400 area may have been up to 3.25 ha, but this estimate is very uncertain due to a smaller sherd sample and some dating difficulties, because some of the pottery was hard to distinguish from Early Neolithic varieties.²³ Much of the evidence from FN Mastos indicates that the site belongs to the “classic” FN phase. An earlier FN component at the site is suggested

by the presence of horn lugs, but the material holds no late FN features. The temporal relationship between the Berbati-Limnes survey sites and FN Mastos is difficult to determine. Although the pottery shows quite close general similarities suggesting that several sites may well be contemporary, there are few specific shared features, and the smaller survey sites may have been occupied only for short periods of time. The FN is a very long period covering some 1,000 calendar years or more, and as yet, the FN pottery evidence and radiocarbon dates from southern Greece only permit a secure subdivision into an early and a late FN phase.²⁴

The size of the FN Mastos settlement, its location near reliable water-sources and good soils, and the pottery assemblage dominated by large jars suitable for storage, suggests that it was a farming village. This adds to the impression of an FN expansion of agricultural settlements of varying sizes in the Berbati-Limnes area, i.e. not only the dispersal of small pastoralist sites in the hills, but also of villages in locations with greater potential for arable agriculture.

²² Lehmann 1937.

²³ Johnson 1996a, 44–57.

²⁴ Phelps 1975; Vitelli 1999; Johnson 1999.

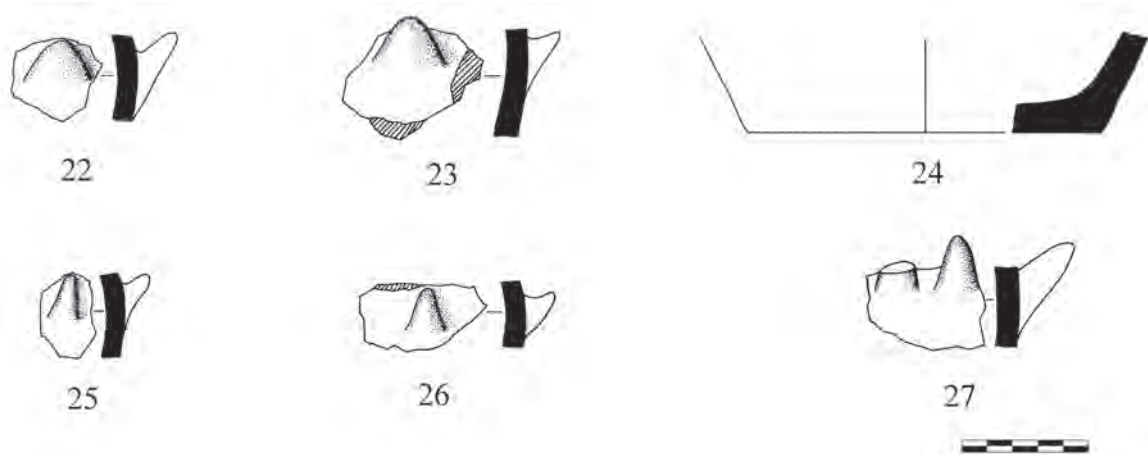


Fig. 44. Final Neolithic horned lug jars (22–27). Drawings by M. Johnson.

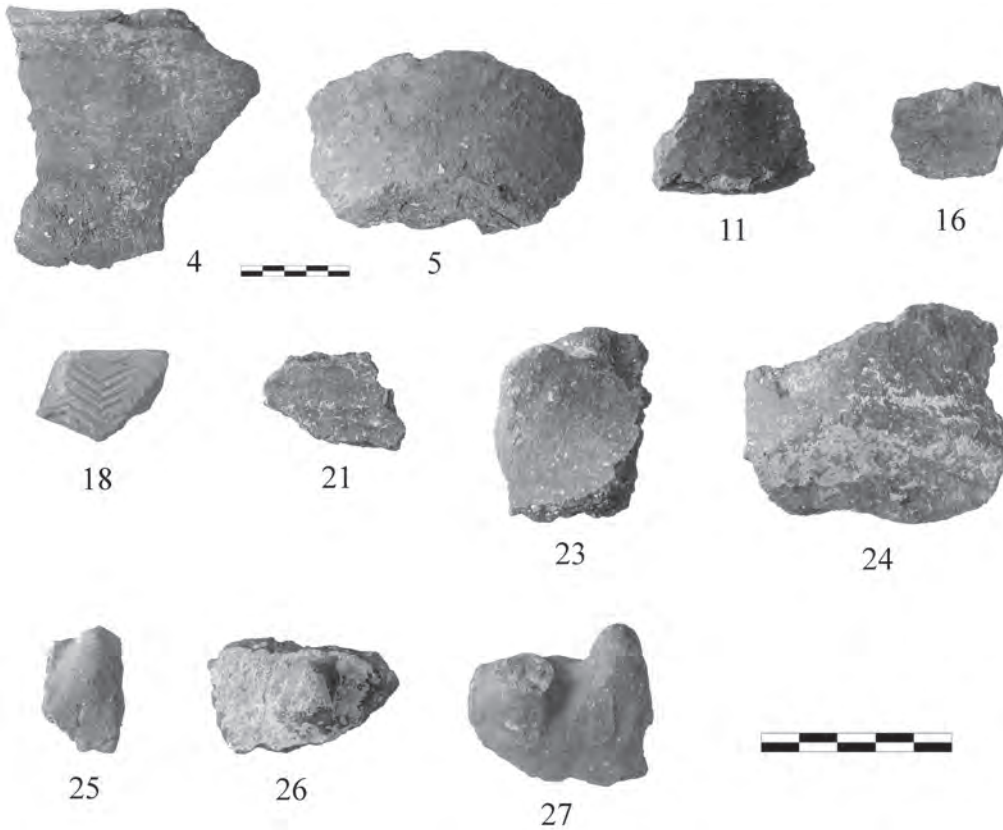


Fig. 45. Final Neolithic jars (4–5 in smaller scale, 11, 24), bowls (16, 18, 21) and lugs (23, 25–27). Photograph by C. Mauzy.

Catalogue

Middle Neolithic (Figs. 40–41)

Open vessels

1. Basin with clay strip. Rim frag. D. 28.0. Unit 47.
Semifine, reddish yellow (5YR 6/8) Urfirnis fabric with very fine, red, grey and calcite inclusions. Red (2.5YR 5/6), semi-

lustrous Urfirnis paint on exterior and interior. Long, low-relief clay strip on lower body.

2. Carinated bowl. Body frag. D. indeterminable. Unit 47.
Semifine, reddish yellow (5YR 6/8) Urfirnis fabric with very fine, red, grey and calcite inclusions. Red (2.5YR 5/8) Urfirnis paint on exterior and dark greyish brown (10YR 4/2)

on interior, covered with lustrous, but not darker, burnished lines.

3. Shallow carinated bowl. Rim frag. D. 14.0. Unit 61. Semifine, reddish yellow (5YR 6/8) Urfirnis fabric with very fine, red, grey and calcite inclusions. Dark reddish brown (5YR 3/3) Urfirnis paint on exterior and interior. See Vitelli 1993, figs. 85j (shallow, inleaning, carinated bowls in scribbled Urfirnis), 91b (Pattern-burnished Urfirnis).

Final Neolithic

Closed vessels (Fig. 42)

4. Large necked jar. Rim frag. D. 24.0. Unit 35. Coarse fabric with medium, grey, red and calcite inclusions. Plain, rough, scraped, dark greyish brown (10YR 4/2) exterior and interior. Interior of neck lightly and irregularly burnished. Thick, red (2.5YR 4/8) core.

5. Flat bottom from jar. Base frag. D. 12.0. Unit 35 (same vessel as no. 4).

Very rough. Same fabric and surface treatment as no. 4. Vegetal straw impression on bottom.

6. Necked jar. Rim frag. D. indeterminable. Unit 38. Coarse fabric with medium, grey, black and calcite inclusions. Lightly burnished, brown (7.5YR 4/3) exterior and neck interior. Plain interior below. Black core.

7. Necked jar with flat lip. Rim frag. D. indeterminable. Unit 41. Coarse fabric with medium, grey and calcite inclusions. Plain, dark reddish grey (5YR 4/2) exterior and interior. Black core.

8. Necked jar. Rim frag. D. indeterminable. Unit 42. Coarse fabric with fine, grey, red and calcite inclusions. Exterior and interior well burnished, yellowish red (5YR 5/6). Interior blackened below. Black core.

9. Necked jar. Rim frag. D. 18.0. Unit 63. Coarse fabric with fine, grey, red and calcite inclusions. Plain, yellowish red (5YR 5/6) exterior and interior. Black core.

10. Necked jar with knob. Shoulder frag. Max. H. 4.9. Unit 44. Coarse fabric with medium, black, grey and calcite inclusions. Plain, red (2.5YR 5/6) exterior and interior. Black core.

11. Collared jar. Rim frag. D. indeterminable. Unit 35. Coarse fabric with medium, grey, red and calcite inclusions. Exterior black burnished with irregular lustre. Red (2.5YR 5/6) mottled to black burnished interior. Red to black core.

12. Flat bottom of jar. Base frag. D. 14.0. Unit 59. Very coarse fabric with medium, grey, red and calcite inclusions. Plain, reddish yellow (5YR 6/6) exterior and interior. Black core.

Open vessels (Fig. 43)

13. Deep bowl with flat lip. Rim frag. D. 22.0. Unit 25. Coarse fabric with medium, grey, dark and calcite inclusions. Irregularly burnished brown (7.5YR 5/4) exterior, plain black interior. Black core.

14. Deep bowl with flat lip (cup). Rim frag. D. 14.0. Unit 31. Coarse fabric with fine to medium, grey, dark and calcite inclusions. Plain, yellowish red (5YR 5/6) exterior. Very dark grey (7.5YR 3/1) interior with traces of burnish. Thick, black core.

15. Deep bowl with flat lip (beaker). Rim frag. D. 20.0. Unit 57. Coarse fabric with fine, grey, red and calcite inclusions. Plain, yellowish red (5YR 5/6) exterior, plain, dark brown (7.5YR 3/4) interior. Black core.

16. Deep bowl with piecrust lip. Rim frag. D. indeterminable. Unit 41. Coarse fabric with fine, grey and calcite inclusions. Burnished red (2.5YR 5/6) exterior and interior, mottled to black. Core same colours. See Vitelli 1999, fig. 4e, j; fig. 46f; fig. 62b.

17. Spreading bowl. Rim frag. D. 24.0. Unit 32. Coarse fabric with fine, black, red and calcite inclusions. Burnished dark greyish brown (10YR 4/2) to black exterior, black burnished interior. Black core.

18. Spreading incised bowl with flat lip. Rim frag. D. 18.0. Unit 37. Coarse fabric with fine, black, grey and calcite inclusions. On exterior and interior light yellowish brown (10YR 6/4) dull, thin slip, interior mottled to red. Black core. Continuous series of multiple chevron incisions on exterior. See Coleman 1977, 12, pl. 81:T, U, AC; pl. 88.

19. Flaring rim bowl with flat lip. Rim frag. D. 18.0. Unit 36. Coarse fabric with fine black, grey, red and calcite inclusions. Plain reddish yellow (7.5YR 6/8) exterior. Plain mottled black interior. Black core.

20. Bowl with punctate decoration. Body frag. Max. H. 3.6. Unit 32. Coarse fabric with fine, grey, red and calcite inclusions. Burnished dark greyish brown (10YR 4/2) thin slip or self slip

on interior and exterior, core same colour. On exterior two horizontal rows of punctate decoration.

See Coleman 1977, pl.81:Z; Zachos 1987, fig. 34:D59.

21. Pattern burnished bowl. Body frag. Max. W. 4.1. Unit 52. Coarse fabric with fine, grey, red and calcite inclusions. Plain, reddish brown (5YR 5/4) exterior. Interior plain, reddish brown (5YR 5/3) with irregular, burnished, lustrous black lines. Black core.

Horned lugs (Fig. 44)

22. Broad horned lug from jar. Body frag. Max. H. 3.4. Unit 15.

Coarse fabric with fine to medium, grey, red and calcite inclusions. Plain, black core and interior. Plain, reddish yellow (5YR 6/6) gritty exterior.

23. Broad horned lug from jar. Body frag. Max. H. 4.2. Unit 33.

Coarse fabric with medium, grey, red and calcite inclusions. Burnished, mottled black to brown (7.5YR 5/4) exterior. Plain, red (2.5YR 5/6) interior. Black core.

24. Flat bottom from jar. Body frag. D. 14.0. Unit 33 (same pot as no. 23).

Coarse fabric with medium, grey, red and calcite inclusions. Yellowish red (5YR 5/6) to brown (7.5YR 5/4) irregularly burnished base and exterior. Red (2.5YR 5/6) plain, smoothed interior. Thick, black core.

25. Narrow horned lug from jar. Body frag. Max. H. 3.3. Unit 37.

Coarse fabric with fine, grey, black and calcite inclusions. Plain, smoothed, reddish brown (5YR 5/4) exterior. Plain, black interior and core.

See Vitelli 1999, fig. 47b; Sampson 1993, LN Ib narrow or pointed horn lugs, figs. 97–98.

26. Narrow horned lug from jar. Body frag. Max. H. 2.6. Unit 37.

Coarse fabric with fine, grey, red and calcite inclusions. Plain, red (2.5YR 4/6) exterior covered with concretion. Plain, black interior and core.

See Vitelli 1999, fig. 47b; Sampson 1993, LN Ib narrow or pointed horn lugs, figs. 97–98.

27. Double horned lug from jar. Body frag. Max. H. 4.1. Unit 38.

Coarse fabric with medium, grey, black and calcite inclusions. Plain, rough brown (7.5YR 5/4) exterior and core. Plain black interior.

See Sampson 1993, 114, fig. 112, pls. 99–100.