

The rock-cut chamber tombs of Labraunda

Abstract*

The rock-cut chamber tombs form a very small percentage of the rock-cut tombs in Labraunda. The majority of these tombs, situated next to the sanctuary, were studied by Paul Åström in 1950 together with the sarcophagi; two improved from natural caves further from the sanctuary in both directions were found in a topographic survey conducted by Lars Karlsson in 2005, and finally one tomb at some distance away on the plain is also included in the article. The tombs are of various types and are probably to be dated to the Hellenistic and Roman periods. No finds have been recorded in them, either in 1950 or later.

Keywords: Labraunda, sanctuary, rock-tomb, chamber tomb

Introduction

The rock-cut chamber tombs in Labraunda are not numerous compared with the cist graves. Seven tombs have been discovered, situated in a curving line west, north, and east of the sanctuary (see plan *Fig. 1*). None of them is an underground tomb, but of course it is not impossible that such may yet be found. Five of them, CT2–6, were seen, studied, and also partly cleaned or excavated by Paul Åström in 1950 together with many of the cist graves. They were checked on in the eighties and again later, although no further cleaning was undertaken, and at the last check they were still in the same condition. Of the finds reported by Åström from the rock-cut tombs none is from a chamber tomb. It is his descriptions and drawings that form the base for this publication. The remaining two tombs, CT1 and CT7, at either end of the curving line, were not discovered until in the mapping survey conducted by Lars Karlsson in 2005.¹ Finally an eighth tomb, also recently dis-

covered, is included as CT8. It is situated near the road from Labraunda to Mylasa down on the plain.² These three tombs have been studied and described by me, but no excavation has been undertaken in any of them.

Since the rock-cut chamber tombs form such an inconspicuous part of the remarkable necropolis in general the references to the chamber tombs are rare and scanty. They were first mentioned by Prokesch von Osten, and then they are mentioned by Laumonier, who had plans of starting an excavation at Labraunda.³ Åström made only one reference to them in 1957 in his few pages dedicated to Labraunda;⁴ his unfortunately unpublished study concerned all types of tombs on the site, and the aim of his article of the tombs in the rest of Caria and more distant regions was to find comparative material for the tombs in Labraunda. Plans for the future publishing of the tombs are not mentioned explicitly by him. Westholm speaks of future publication;⁵ it was long thought that Åström would publish them himself, but in the end the material was handed over to me.⁶ Henry in his Carian tomb survey does not mention rock-cut chamber tombs in Labraunda in the text but includes a photograph of one of them.⁷

the survey. Of the photos *Figs. 2* and *3* are from the survey, the rest are taken by me. The drawings are made by me, but some of them are based on Paul Åström's drawings. The map *Fig. 1* is drawn by Olivier Henry.

¹ Karlsson 2007, 67; 2008, 117.

² This tomb is situated far outside the sanctuary and has been observed and mentioned by others, see the topographic survey in Kızıl 2012, 425.

³ Prokesch von Osten 1836–1837, 450f.; Laumonier 1933, 48; 1936, 304; later references are found in Akarca & Akarca 1954, 128 and Bean 1971, 66.

⁴ Åström 1957, 208–210.

⁵ Westholm 1963, 12, see also Roos 1972, 98 n. 19; 2006, 9.

⁶ See Henry *et al.* 2012, 245 n. 33.

⁷ CT5, Henry 2009, fig. 10 (= pl. IIIA).

* I would like to express my thanks to Paul Åström for starting the work on the tombs and leaving the chamber-tombs to me when he himself had not time to continue with them, and to Lars Karlsson for the outcome of

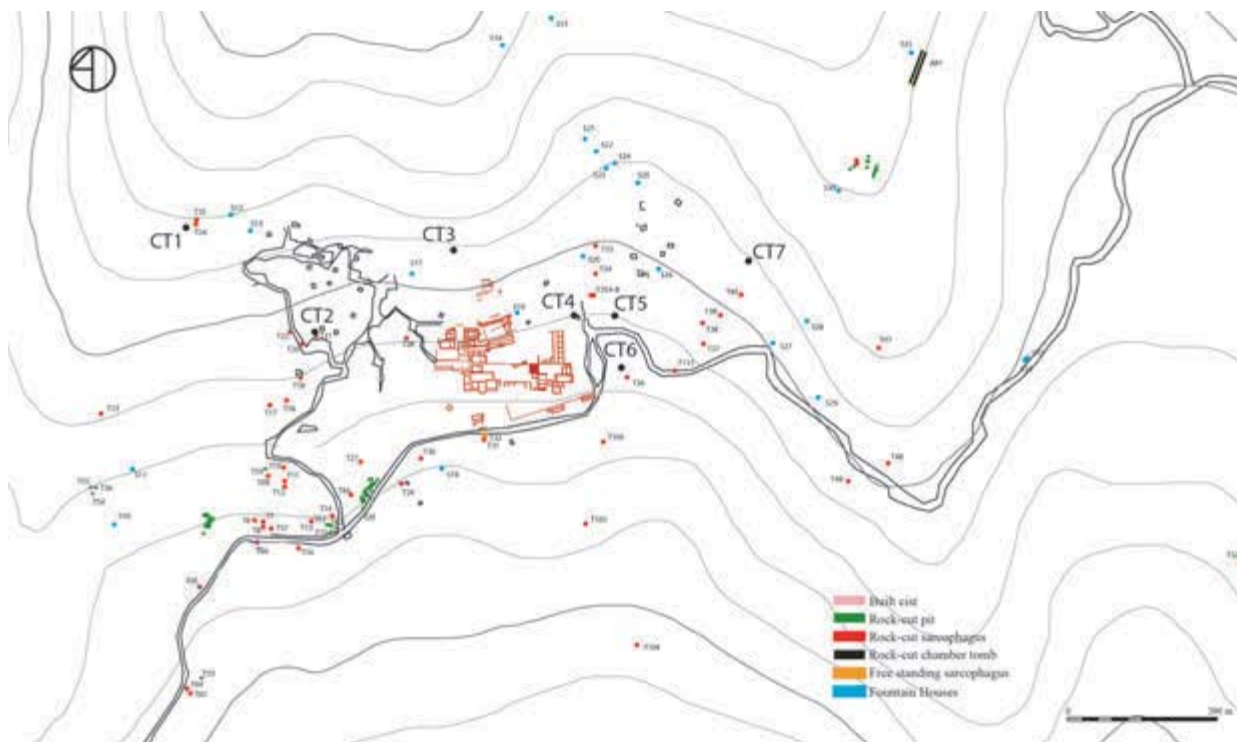


Fig. 1. Map of the area around the sanctuary by O. Henry with tombs CT 1–7 marked.

The chamber tombs

CHAMBER TOMB 1 (FIGS. 2–4)

Large chamber in the western part of the area just above a rough path, facing SSW. No doubt it was originally a natural cave without a front wall, improved and furnished with a rock-cut bench along the walls. The width is about 5.50 m, and the depth to the rear wall from where the floor gets considerably lower towards the front is about 3.20 m. The height is 1.90 m at the front; the floor gets higher inwards and the ceiling much more so. The rear wall is about 1.15 m above the bench, and above it a big portion is lost. There is a bench with cuttings and intermediate walls along the sides of the chamber. Along part of the left wall it is 36 cm high and 80 cm wide with a 4 cm deep cavity, leaving a 10 cm wide wall towards the chamber and a 20 cm wide wall at the short end. How the bench and the cavity were finished towards the front cannot be ascertained. The bench reaches 1.60 m in length and the intermediate wall 1.20 m. To the left of it is a shelf, narrow and about 20 cm high at the front but much higher and wider towards the back. In front of the 20 cm wide intermediate wall is a sloping 15 cm wide area as for a pillow. Along the rear wall

is a bench where the middle part is lost. It has approximately the same level as the cavity mentioned above, and there is no intermediate wall in front of it. Its total length is about 3.90 m and the width 64 cm to the left and 1.50 m to the right. In the middle is a part of a step 23 cm wide, 30 cm below the bench, and 3 cm above the floor. To the right is an irregular and asymmetrical bench along the wall, 1.95 m long and 50 cm wide at the front and more at the back. Its height is 12 cm above the rear bench.

The tomb is not mentioned anywhere in the literature. That a natural cave has been improved to a tomb is interesting but of course not unusual. The cutting in the bench is very shallow. Pillows in tombs are not rare but are hardly expected in rough caves.

CHAMBER TOMB 2 (FIGS. 5–8)

Chamber tomb cut into a rock about 150 m west of the temenos, facing SE. During the time of the first study it was situated slightly below the ground, but now the ground level is considerably lower. The opening is 1.32 m wide and 1.52 m high over the threshold block. The front wall is about 50 cm thick but projects more to the left at a lower level; the inner



Fig. 2. CT1 seen from the front.



Fig. 3. CT1, left inner corner seen from the opening.

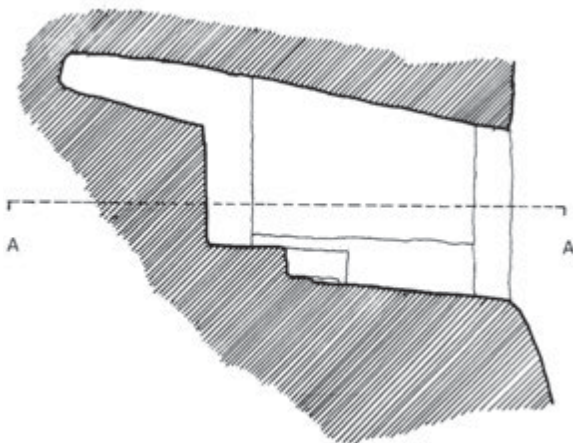


Fig. 4. CT1, longitudinal section and plan.

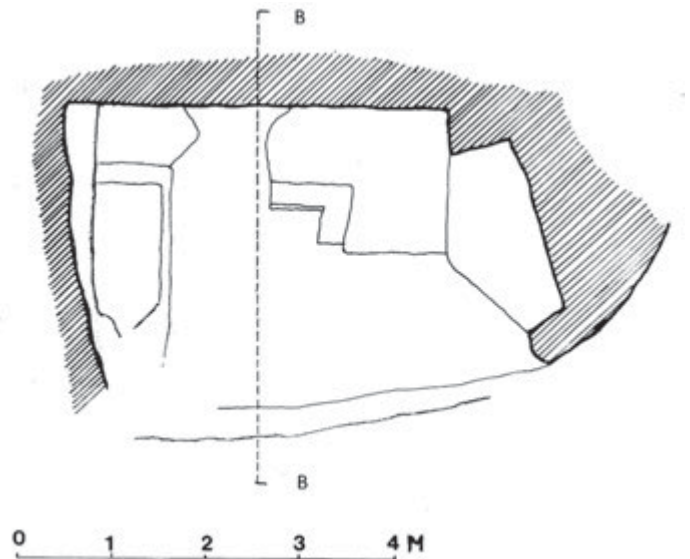


Fig. 5. CT2 seen from the front.

corners of the jambs are slightly irregular. Since the rock is rounded to the left the front is far from a straight line, and especially to the left the line is oblique, so that the thickness of the wall decreases. There is an oval hole cut as a window 68 cm to the left of the opening (Fig. 6). Its maximum height is 30 cm and the maximum width 20 cm.

The opening leads to a rather well-cut chamber placed symmetrically to it. It is 3.29 m wide and 2.47 m deep to the right but less to the left. There is an 80 cm wide (slightly less to the right) and 65 cm high bench around the walls. The ceiling is a smooth flat barrel vault 1.59 m above the bench. The side walls are barely detached from the barrel vault and 90 cm high to the left and 95 cm to the right. The window is situated 48 cm above the bench.



Fig. 6. CT2, left front corner with window, seen from the interior.



Fig. 7. CT2, right inner corner seen from the opening.

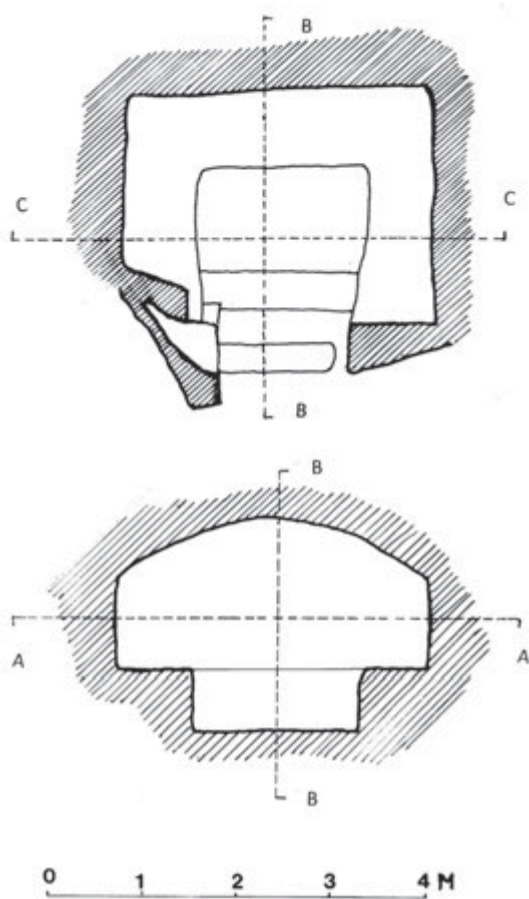


Fig. 8. CT2, plan, longitudinal and cross section.

The inner front corner to the left is differently cut, owing to the profile of the rock, and the bench reaches only 1.76 m along the wall. The wall is much thinner where the window is located, only 10 cm, especially compared with the part above it, which is much thicker. The corner is irregular and some of the material has not been cut away.

The lower part of the opening is filled with a regular block that renders the threshold level approximately equal with that of the chamber. Originally there was a step between them, reaching 53 cm from the inner side of the wall and with a sloping rear side. This part has been filled in and the floor made level, no doubt for facilitating keeping animals in the tomb. Whether the window is part of the original plan or part of turning the tomb into a stable remains dubious.

The tomb has been known as long as the sanctuary but never especially mentioned. The bench along three walls is a common feature. That a tomb in such a position has been re-



Fig. 9 (above). Rock with CT3 from the north.



Fig. 10 (right). CT3 seen from the front.

used in modern times is naturally not unexpected, and it is not easy to decide how much may have been changed. A window in the front wall of a rock-cut tomb in Anatolia is very rare but not unique.⁸

CHAMBER TOMB 3 (FIGS. 9–13)

Chamber tomb cut in a pillar-shaped four-sided rock with vertical sides. It is situated at about mid-height up the rock and slightly more to the right, faces ESE and is impossible to reach without rope or ladder. The villagers remembered no climbing to it before 1950. There is a fir tree immediately at the north-western corner (Fig. 9), and Paul Åström used it for accessing the tomb. Whether anybody has visited the tomb during the next half century is unknown, but in 2006 I found that the climb was easily accomplished with a four-metre ladder, since there was a convenient horizontal shelf at the bottom of the rock below the opening.

The door opening is 1.70 m high and 1.25 m wide at the bottom and 1.20 m at the top. The front wall is 73 cm thick at the bottom and 54 cm at the top to the left, 83 and 50 cm respectively to the right. The opening leads to a symmetrically located almost square chamber, 3.60 m wide and 3.50 m deep.



Fig. 11. CT3, left inner corner seen from the opening.

The ceiling is rough but rather horizontal and 40 cm above the top of the opening, and the floor is 4 cm above the threshold. Both the floor and the ceiling rise slightly higher at the interior.

There are three coffins cut along the walls with intermediate walls towards the chamber, 15–17 cm wide. The height is 95 cm from the floor to the right and the front part of the left one, whereas the back part of the left and the rear one are 24 cm lower. The left coffin is 2.35 m long, 80 cm wide and 77 cm

⁸ There is e.g. an example in a tomb in Paphlagonia, see Hirschfeld 1886, 20–22, Taf. VI–VII. A tomb in Caunus in Caria has a rectangular window in the door, Roos 1972, 29.



Fig. 12. Rock with cuttings in front of CT3, seen from the tomb.

deep. Along the front wall is a 10 cm narrow ledge, which rises considerably towards the corner. The right coffin is 2.32 m long and 78 cm wide. The depth is 83 cm towards the opening and 93 cm at the back, but the intermediate wall also slopes. There is a ledge along the front wall, 24 cm wide towards the opening and decreasing to 20 cm at the corner. The rear coffin is 2.30 m long, 83 cm wide and only 55 cm deep, owing to the lower intermediate wall.

The cutting of the rear wall is executed so that it forms irregular shelves in the rear corners. The right one is level with the intermediate wall and has its sides in line with the intermediate walls but with a rounded and irregular back. The left one has the same level, i.e. 32 cm above the intermediate wall at this spot. Its front is in line with the intermediate wall, but the other dimension is only 39 cm, and at the back the shelf is much less and clearly unfinished.

Obliquely in front of the tomb and about 3 metres from it is a rock with its top at the same level as the threshold of the tomb. Its top has a few cuttings, no doubt for placing boards or beams across the space to the tomb opening for facilitating the cutting (Fig. 12).

The tomb is mentioned by Laumonier as inaccessible⁹ and also by Åström with a photo showing him above it on the rock.¹⁰ It is notable for the traces of equipment for facilitating the access to it and remarkable for the good quality of work in the interior, especially in combination with the fact that the cutting is unfinished at the back. The bench is remarkable for its height and also its two levels, the depth of the coffins, and also their position which leaves two shelves in the rear corners.

⁹ Laumonier 1933, 48.

¹⁰ Åström 1957, photo on p. 209. The caption says "the author on the brink of the grave".

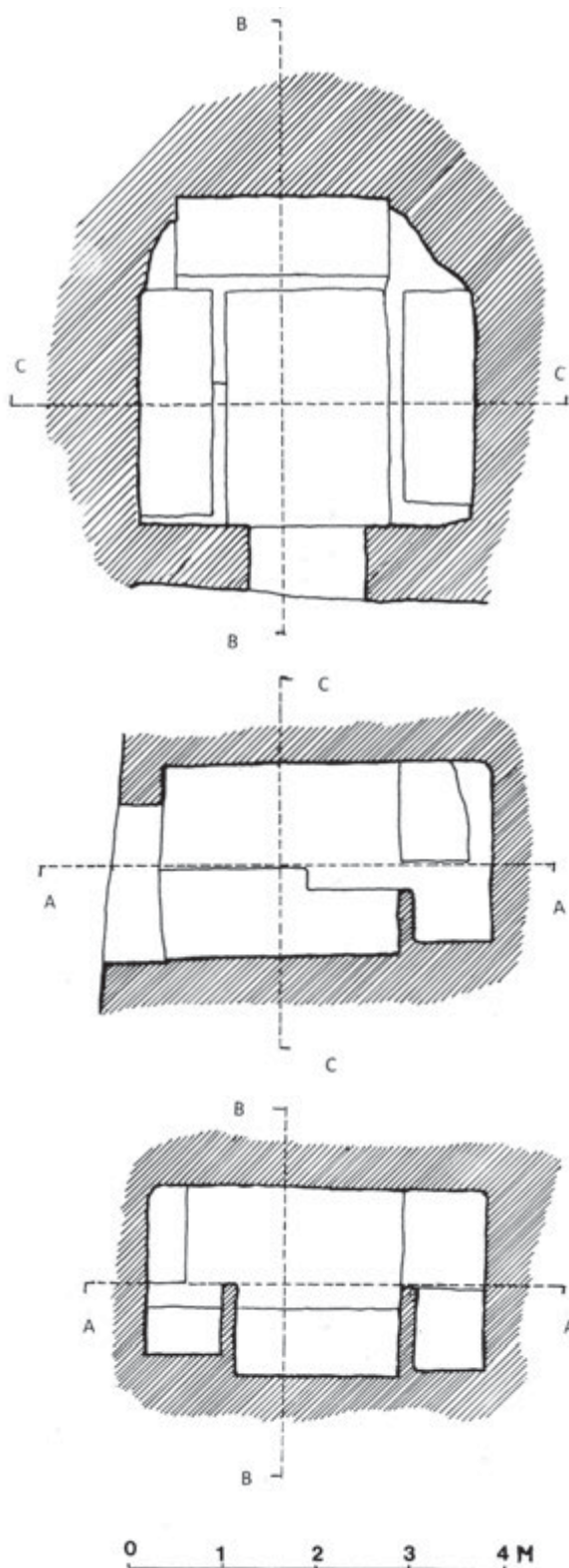


Fig. 13. CT3, plan, longitudinal and cross section.



Fig. 14. CT4 with guardians.



Fig. 15. CT4, right wall seen from the left.

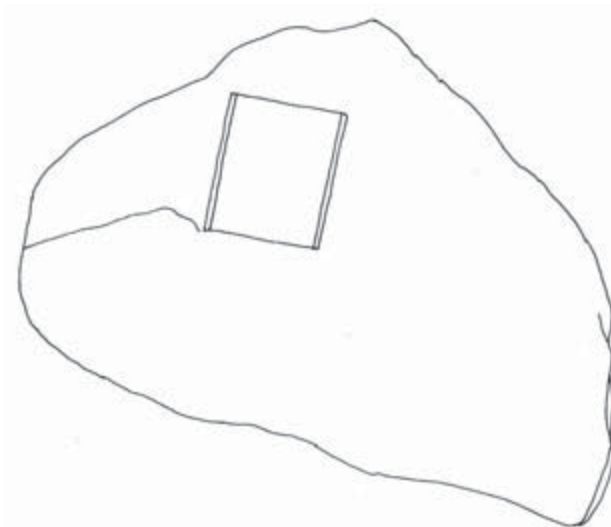
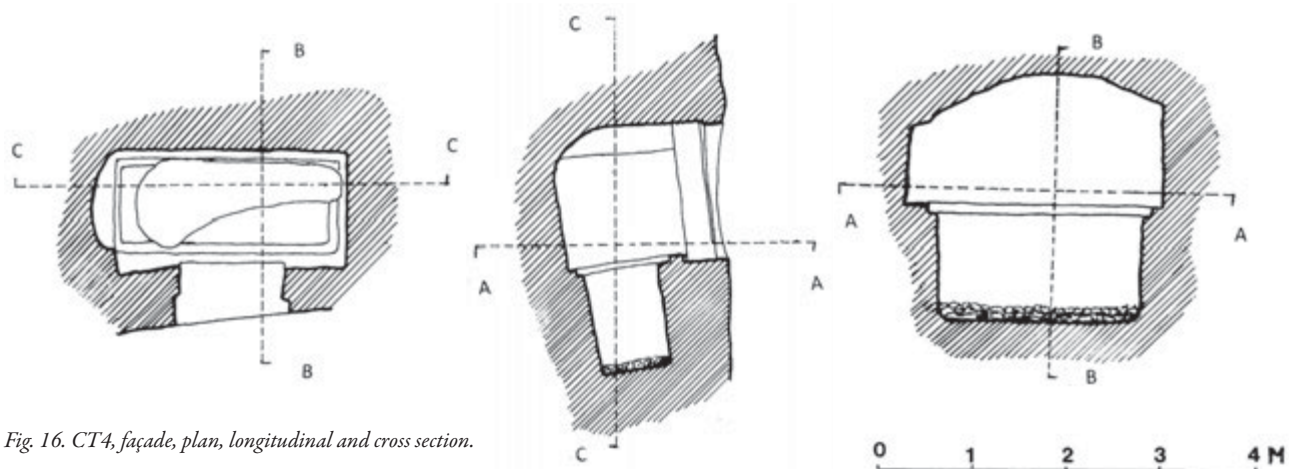


Fig. 16. CT4, façade, plan, longitudinal and cross section.



CHAMBER TOMB 4 (FIGS. 14–16)

Chamber tomb situated near the east part of the sanctuary, immediately above the east stoa. It is cut slightly obliquely in a vertical face of an irregular rock, about 2 metres above the ground, facing south. The door opening is 1.45 m high and 1.24 m wide at the exterior but slightly obliquely cut. There is a 7 cm wide rebate at either side, making the inner part of the opening narrower. There is a 2 cm wide vertical half-round list along most of the right jamb but not the bottom 21 cm above the threshold. The front wall is 45 cm thick to the right and 67 cm to the left.

The opening leads to a symmetrically located chamber aligned in a W–E direction with the front wall slightly obliquely cut. The chamber leans inwards. Its width is 2.71 m and its depth only 1.29 m. The ceiling is level with the top of the opening at the front but decreases in height at the sides and at the back.

The inner part of the left wall is cut concave like a niche. Its depth is 22 cm at the bottom but less towards the top.

Most of the floor is occupied by a cist 2.16 m long and 75 cm wide. The depth is at least 1.08 m. It is surrounded by an about 9 cm deep and 10 cm wide rebate. There is a 10 cm thick gneiss slab as a lid, 2.28 m long and 93 cm wide, but a big portion in the right front corner is missing and may have been smashed for rifling the cist. The missing pieces cannot be seen. The slab is not resting in a correct position but partly in the rebate, partly on the floor itself. To the left it does not reach the rebate but the last 11 cm have been filled up with smaller stones.

The tomb is mentioned as one of the tombs cut in a rock by Laumonier who also provides some drawings.¹¹ The outline with the small chamber with a rounded ceiling and most of the floor occupied by a cist across it seems to be without parallels in Caria but can be compared with tombs in other parts of Anatolia, although rarely with a wall with a rectangular opening in front of it.¹² The rebate for the lid is also noteworthy, along with the rebate, and the list in the opening.

CHAMBER TOMB 5 (FIGS. 17–19)

Tomb situated in a vertical rock façade east of the temenos, just above the turn of the modern road, facing SSE. The door opening is 98 cm wide at the bottom but slightly more at the top, and 1.57 m high at the exterior but slightly more at the interior. The front wall is 49 cm thick. The opening leads to a chamber located asymmetrically to it and, like CT4, orientated across it. It is elliptical and about 2.60 m wide and 1.75 m deep. The height is 1.75 m in the front part but decreases considerably at the back.

Most of the floor is occupied by a cist, with a space all the way around it. It is 2.10 m long, 78 cm wide and 74 cm deep, including a rebate 7–10 cm wide and with the same depth around it for a lid. In the eastern end is a pillow on the bottom, 29 cm wide at the sides but less in the middle, and 5 cm high. Only a few bigger stones were found in the chamber.

Like CT4 the tomb is mentioned as one of the tombs cut in a rock by Laumonier.¹³ It is illustrated by Henry,¹⁴ although no rock-cut chamber tombs in Labraunda are represented in his catalogue. Here the rebated cist, occupying most of the floor of what may be called an arcosolium is again significant, but here we also have a pillow, rare in a floor cist.



Fig. 17. CT5 seen from the front.



Fig. 18. CT5, interior seen from the opening.

CHAMBER TOMB 6 (FIGS. 20–22)

Tomb cut into a large rock about 45 metres east of the temenos, across the road, facing west. The rock has sunk towards the north, so that the tomb is leaning considerably (it is drawn, however, as if still in its pre-movement position). The door opening is 1.44 m high and 1.18 m wide at the bottom but less at the top. It is 28–46 cm above the earth level, and the lower part has been blocked by stones. The top of the opening is surrounded by an arched groove 9 cm wide and 7 cm deep with a triangular section. The groove is 18 cm from the open-

¹¹ Cut in a “rocher en dos d'éléphant”, Laumonier 1933, 48; 1936, 317 with drawings of a plan and a cross section on 319, fig. 28A. A photo is shown in Henry *et al.* 2012, fig. 26.

¹² This feature is pointed out by Åström in his notes where he writes that it might be looked upon as an arcosolium but has no parallels from Anatolia.

¹³ Laumonier 1933, 48; 1936, 317.

¹⁴ Henry 2009, fig. 10 (= pl. IIIA).

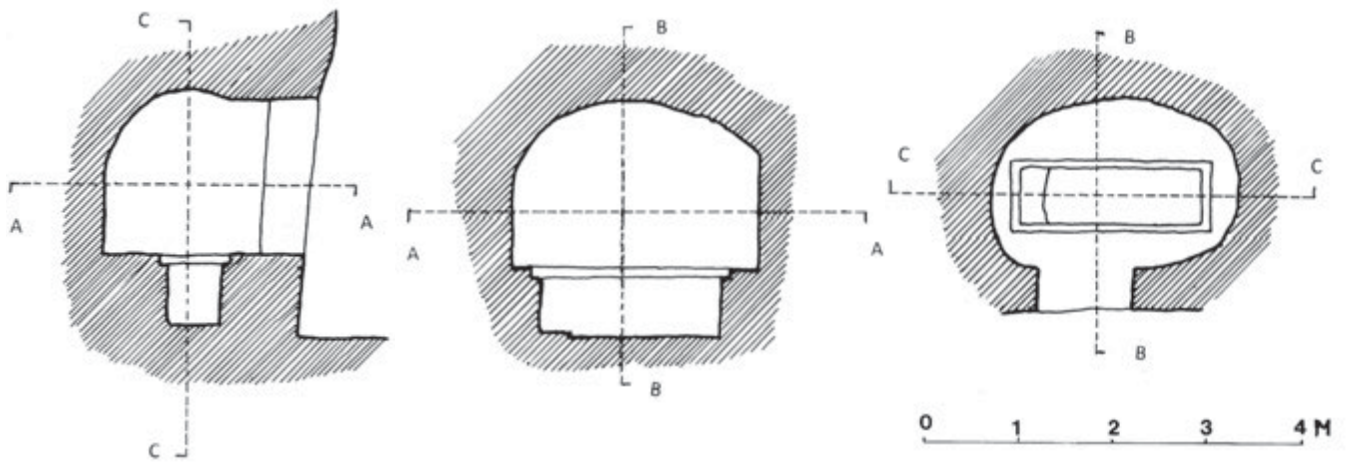


Fig. 19. CT5, longitudinal and cross section and plan.



Fig. 20 (left). CT6 seen from the front.

Fig. 21 (above). CT6, right inner corner seen from the opening.

ing at the corners and 48 cm above it, and reaches about 22 cm below the top of the opening. The front wall is 54 cm thick to the right and 45 cm to the left. There is a rebate 7×7 cm the top 80 cm of the inner side of the left jamb.

The opening leads to a rather irregular chamber that gives an impression of being unfinished. It is 2.84 m wide and 2.35 m deep to the right but much less to the left, and rounded. The ceiling looks like an irregular cupola with the greatest height, 1.71 m, in the middle. The front is lower as well as the back, and there is no distinction between the ceiling and the top of the opening. The floor is 16 cm lower than the threshold in the middle but less on the sides.

There is a bench along three walls, the front of which is the only regular feature in the tomb. It is 60 cm high and has a maximum width of 50–65 cm. The rear wall is clearly unfinished, the bench being only 10 cm wide in the left corner. There is a 2 cm lower area, 10–20 cm wide along the front of the bench at the back and along the rear part of the side bench, probably showing the intended surface level of the whole bench. There is a slight projection at the front to the right, 66 cm from the front. It is 20 cm wide and 26 cm high.

In the middle of the floor is an irregular cutting about 28 cm square and 5 cm deep but in fact well discernible only to

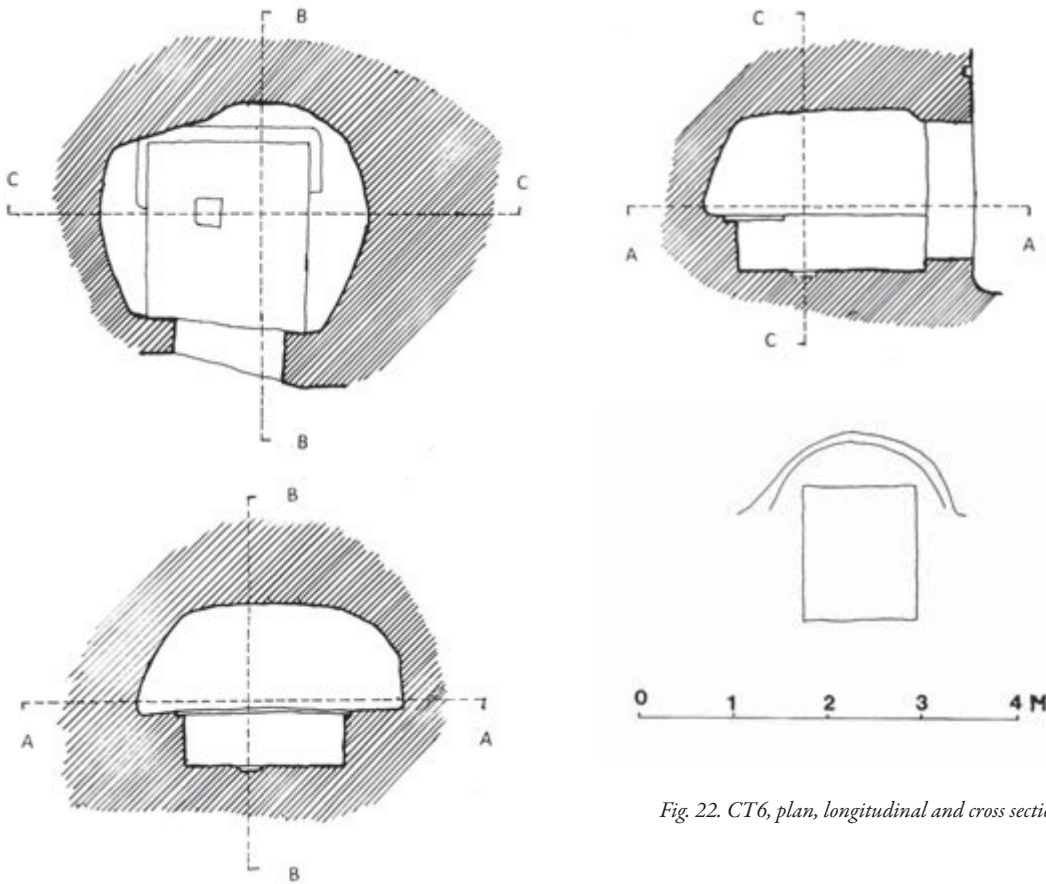


Fig. 22. CT6, plan, longitudinal and cross section and façade.

the right and at the back. It is situated 90 cm from the right bench and 60 cm from the rear one.

The tomb is also mentioned by Laumonier as one of the tombs cut in a rock.¹⁵ The most interesting detail is the cutting above the opening—to be reckoned as a decoration?¹⁶ Of course there is also the possibility that the groove is made for hindering water from streaming down along the façade and destroying it, a process that can be seen in other places.¹⁷ But it can hardly be expected as a rare case on a façade lacking decoration. The bench around three walls is typical, but the contrast between the regular front and the unfinished back is noteworthy. The faint cutting in the floor—perhaps also unfinished—is also noteworthy.

¹⁵ Laumonier 1933, 48; 1936, 317 with drawings of a plan and a cross section on 319, fig. 28B.

¹⁶ Decorative details cut in the exterior are of course rare in a district where the tombs are cut in a gneiss rock.

¹⁷ E.g. in Caunus, see Roos 1972, pl. 18.

CHAMBER TOMB 7 (FIGS. 23–24)

Large chamber tomb far to the east of the temenos, facing SSW. It is situated partly below earth level and was no doubt expanded from a natural cave, which is attested by the rear part. At the front much of the ceiling has collapsed and fallen down, especially in the middle where it reaches only 2.17 m in height. To the left there is a little left of a front wall, and the depth of the chamber is 4.24 m. In the right front corner the ground level is so high that no corner can be attested, but seemingly the chamber reaches as far forwards also on that side; it can be attested for 3.70 m. The width of the chamber is 3.19 m. The side walls are leaning slightly inwards, and the ceiling is a flat barrel vault. An area of nearly 2 × 2 meter of the floor is visible in the left inner corner. The height is about 90 cm at the sides and about 1.20 m in the middle. Evidently one or more cists have been cut into the floor, leaving a 17 cm wide ledge along the left wall and 20 cm along the rear wall. The depth of the cists is at least 50 cm, and traces of clandestine digging are clearly visible. In the left inner corner of the cist is a projection 16 cm wide and 9 cm deep in its whole depth.



Fig. 23. CT7 seen from the front.



Fig. 24. CT7, interior seen from the opening.

The front part of the cist is covered by earth, but the front wall can be noticed, and the distance from the projection is 1.24 m. There is a big portion of a coarse slab lying in the cist and partly covered by earth. The long sides are intact as far as they can be seen; of the short sides one is broken and the other hidden in the earth. The width is 69 cm and the maximum preserved length 96 cm. The thickness is 14 cm.

Like CT1 this tomb was unknown before the survey of 2005 and is improved from a natural cave. Here the cists have been cut out in the floor and not in benches.

CHAMBER TOMB 8 (FIGS. 25–28)

Chamber tomb near the road from Labraunda to Mylasa down on the plain. It is situated just after the old bridge and approximately across the road from the built marble tomb,¹⁸ halfway up the slope of a low hill and facing NNW. It has a dromos, 1.05 m wide, reaching 23 cm forwards to the left and 1.50 m to the right. The opening is located symmetrically and is 51 cm wide and is barrel-vaulted. The floor of the dromos and the threshold are covered with earth; the height is at least 1 m. The cliff above the opening reaches nearly 2 m upwards and is slightly leaning. The front wall is 35 cm thick at the top and 48 cm at the bottom.

The opening leads to a chamber placed almost symmetrically to it. It is 59 cm wide at the interior and the height can be measured to 1.15 m; the floor and part of the interior is also covered with soil. The chamber is 2.42 m wide and about 2.60 m deep (slightly deeper to the left). There is a bench along



Fig. 25. CT8, dromos and opening seen from the front.

¹⁸ For this tomb see Westholm 1963, 11; Henry 2009, 235–236; Karlsson 2010, 90–102.



Fig. 26. CT8, step seen from the front.



Fig. 27. CT8, pillow seen from the right.

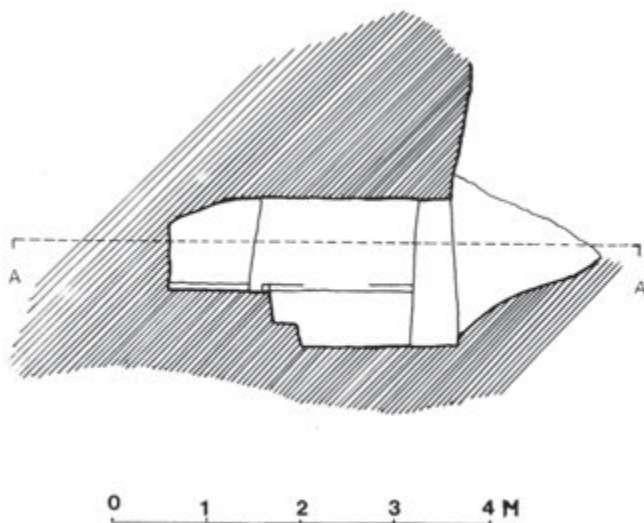
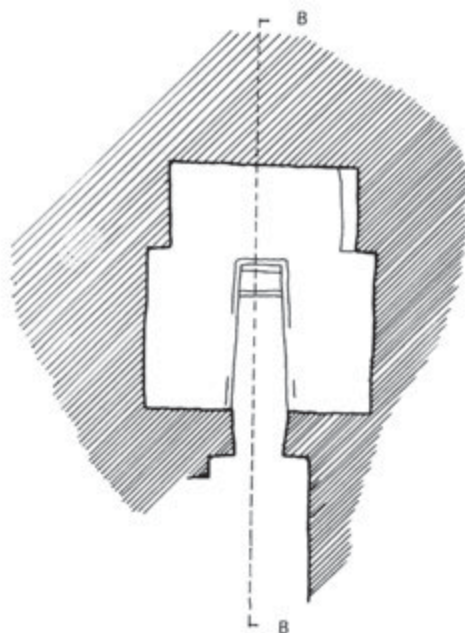


Fig. 28. CT8, plan and longitudinal section.

three walls with the sides in line with the opening. It has a low intermediate wall, 7 cm wide and 5 cm high, but little is left of it on the sides. The space between the sides is 1.53 m long and only 43 cm wide at the interior; the floor is covered like the left part of the chamber, but the height of the bench is a least 58 cm. The ceiling is a flat barrel vault in line with the top of the opening; the height is 90 cm above the intermediate wall,

at the back where it is highest, but 40 cm lower to the left and 25 cm to the right and at the back. There is a step at the back between the benches, 33 cm below and 20 cm wide (Fig. 26).

The side walls project 24 and 18 cm respectively at the back, making the rear part to an alcove. To the right there is a sloping pillow with a curved side, 18–22 cm wide (Fig. 27). Its height is 8 cm.

The tomb has not been known long and has recently been mentioned in a topographic survey by Kızıllı.¹⁹ With its dromos and vaulted opening it differs slightly from the tombs around the sanctuary. Although the outline with a bench along three walls is common it differs from the usual outline with the narrow space between the side benches, and the cutting, shaping the rear bench as an alcove. The shallow cuttings in the side benches and the pillow on the rear bench may be noticed, as also the step between the benches.

General commentary

As pointed out by Henry *et al.*, the unusual aspects of the necropolis of Labraunda are both its mere existence on the site and its extent around the sanctuary.²⁰ It has been pointed out that tombs in such a number (a number which is augmented each subsequent season of excavation) are not expected in connection with a sanctuary. Among the vast number of rock-cut sarcophagi the few chamber tombs form a very insignificant although conspicuous part. Their location in natural vertical rock façades is limited, as such façades are not very numerous in the vicinity, whereas for the sarcophagi cut in horizontal areas many more possible sites are available. For the natural caves suitable to be transformed into chambers the choice is still more restricted.

It is clear that there are, for such a small number of tombs, many different noteworthy features and that they are far from representing a common concept. CT1 and 7 are improved natural caves with slight modifications to create characteristics for burials, a feature that could be expected to be met rather often but for which I have in fact few parallels. CT2 has the problematic window that might be a later alteration and for that reason cannot be made the subject of a too-thorough discussion. CT3 is inaccessible, which in itself is rather common in other parts of Caria but has few parallels in this part of it.²¹ The combination of the well-cut execution and the fact that it is not quite finished is noteworthy but quite understandable;²² the tomb plan with the intended shelves at

the rear corners is rather uncommon, since the common feature is a single shelf and then placed in a front corner.²³ CT4 and 5 in the vicinity of each other are the tombs that most resemble each other with the rebated cist occupying most of the floor and with an irregularly vaulted chamber.²⁴ CT6 has the strange groove above the opening, the purpose of which is unclear. As for CT8 it can hardly be reckoned among the tombs of Labraunda since it is situated so far from the sanctuary and the others. It has a few interesting details like the vaulted opening, and it has the pillow in common with CT5, a feature that occurs sometimes also in simple tombs and is represented also in a few of the tombs at Milas.²⁵ Finally it must be stressed that existing or lacking features like steps, niches, pillows, vaults, and bench legs in relief can seldom be used as *indicia* for influence or chronology since they are apt to be made use of spontaneously in different areas and periods.

As for dating the chamber tombs we have the usual problem: the scarcity of evidence. It is a noteworthy point with tombs in Labraunda in general that they display an uninterrupted funeral activity from the mid-classical to the Roman period²⁶ attested by the finds in many of the cist graves. Of course the few chamber tombs lacking finds are included in the same span, but in which centuries? There are no finds to help us as in many of the cist graves, and probably the span of time is the same, both the Hellenistic and the Roman period. And there are no ornaments or other details that could be used for giving a date, nor any characteristics or typological differences that could furnish a date for any special tomb with the exception that I think that the *arcosolium* type graves CT4 and 5 are late, well into the Roman period.

PAAVO ROOS
Department of Archaeology and Ancient History
Lund University
Box 192
SE-221 00 Lund

¹⁹ Kızıllı 2012, 425 with *resim* 7.

²⁰ Henry *et al.* 2012, 244.

²¹ There are two parallels in *Hacımamlar* and *Hisarardı* east of Labraunda, see Roos 2006, pls. 1 and 5. In more distant parts we have some of the tombs in *Caunus*, *Daedala*, *Calynda*, and *Krya* in eastern Caria, see Roos 1972, pls. 2, 16; 1985, pls. 8–9, 18, 23–24 and the numerous group of tombs in *Pinara* in western Lycia, Benndorf & Niemann 1884, Taf. XVIII. It is a noteworthy fact that whereas in some places a rock façade seems to have been smoothed for making a tomb inaccessible, in other places efforts have been made for making the access easier, see Roos 1987, 32.

²² It is more conspicuous when the cutting of a tomb was started with the intention of undertaking high quality work and this was then interrupted for lack of resources or other motives, see Roos 1972, 62.

²³ Many examples in *Caunus*, see Roos 1972, 87. Scarce examples are found also in other places in Caria. A noteworthy parallel is found in a tomb in *Ağla köy* near *Caunus*, Roos 2006, pl. 65:2. It is situated in the rear left corner and as irregular as the cases in Labraunda and probably to be looked upon as unfinished.

²⁴ In fact the rare type would be more expected to be found in *Cilicia* or *Phrygia*, although I can give no good parallel, especially not for the combination with the front wall and the rectangular opening. Perhaps the preserved rock wall with an opening instead of the whole orifice open to the same size as the chamber is simply due to the material, the harder gneiss rare in other parts of Anatolia.

²⁵ Åkerstedt 2001, 11.

²⁶ Henry *et al.* 2012, 244.

Bibliography

- Akarca, A. & T. Akarca 1954. *Milas. Coğrafyası, tarihi ve arkeolojisi*, Istanbul.
- Åkerstedt, T. 2000–2001. ‘Hellenistic-Roman chamber tombs at Milas: Swedish excavations 1938’, *OpAth* 25–26, 9–23.
- Åström, P. 1957. ‘I de tusen törnosastädernas land’, *Jorden Runt* 29, 201–216.
- Bean, G.E. 1971. *Turkey beyond the Maeander. An archaeological guide*, London.
- Benndorf, O. & G. Niemann 1884. *Reisen im südwestlichen Kleinasien I. Reisen in Lykien und Karien*, Wien.
- Henry, O. 2009. *Tombes de Carie. Architecture funéraire et culture carienne, VIe–IIe s. av. J.-C.*, Rennes.
- Henry, O., L. Karlsson & J. Blid 2012. ‘Le sanctuaire de Labraunda. Historique, état des lieux et perspectives de recherche’, *Anatolia Antiqua* 20, 227–260.
- Hirschfeld, G. 1886. *Paphlagonische Felsengräber. Ein Beitrag zur Kunstgeschichte Kleinasiens* (AbhBerlin, 1885), Berlin.
- Karlsson, L. 2007. ‘Labraunda 2005’, *KST* 28:1, 65–70.
- Karlsson, L. 2008. ‘Labraunda 2004–2007. A preliminary report on the Swedish excavations, with contributions by Olivier Henry and Jesper Blid’, *IstMitt* 58, 109–133.
- Karlsson, L. 2010. ‘Labraunda 2009. A preliminary report on the Swedish excavations with contributions by Jesper Blid and Olivier Henry’, *OpAthRom* 3, 61–104.
- Kızıl, A. 2012. ‘2010 yılı Muğla ili, Milas ilçesi ile Ören ve Selimiye beldelerinde Arkeolojik yüzey araştırmaları’, *AST* 2011:3, 423–438.
- Laumonier, A. 1933. ‘Notes sur un voyage en Carie’, *RA* 1933:2, 31–55.
- Laumonier, A. 1936. ‘Archéologie carienne’, *BCH* 60, 286–335.
- Prokesch von Osten, A. 1836–1837. *Denkwürdigkeiten und Erinnerungen aus dem Orient. Herausgegeben aus Schnellers Nachlass von E. Münch*, Bd. I–III, Stuttgart.
- Roos, P. 1972. *The rock-tombs of Caunus 1. The architecture* (SIMA, 34:1), Göteborg.
- Roos, P. 1985. *Survey of rock-cut chamber-tombs in Caria 1. South-eastern Caria and the Lyco-Carian borderland* (SIMA, 72:1), Göteborg.
- Roos, P. 1987. ‘Anatoliska klippkammargravar’, *Medusa* 8:2, 32–40.
- Roos, P. 2006. *Survey of rock-cut chamber-tombs in Caria 2. Central Caria* (SIMA, 72:2), Göteborg.
- Westholm, A. 1963. *Labraunda. Swedish excavations and researches 1:1. The architecture of the Hieron* (ActaAth-4°, 5:1:2), Lund.